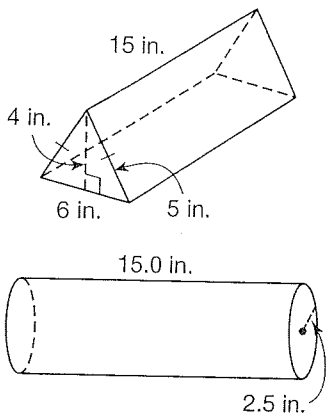


# Mid-Chapter Review

1. The world's largest raisin box was built by students in California. The box is a rectangular prism 12 ft high, 8 ft wide, and 4 ft deep. What is its surface area?

2. These two steel rods are to be case-hardened. The process will cost more for the rod with greater surface area. Which rod will cost more to case-harden?



3. Tim works at a chocolate store. The store sells candy in two types of gift boxes. One is a square-based pyramid. The other is a cone. The one that uses less cardboard costs less to make. Both boxes have a slant height of 13.5 cm. Which box costs less to make?

