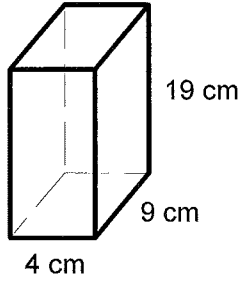


NAME _____

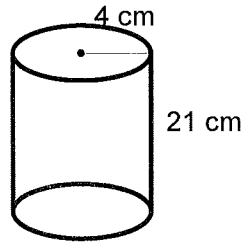
DATE _____

Find the volume of each figure.

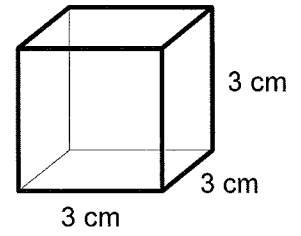
1)



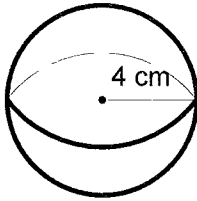
2)



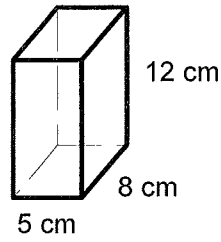
3)



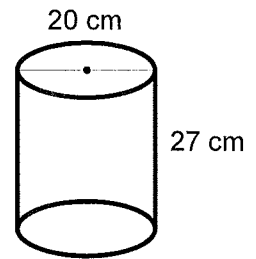
4)



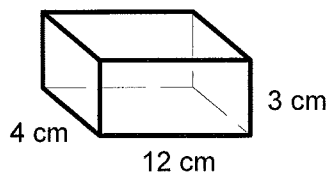
5)



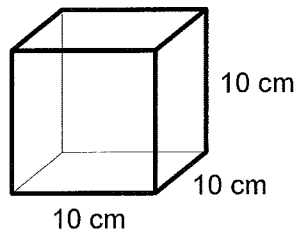
6)



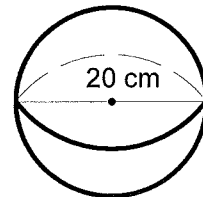
7)



8)

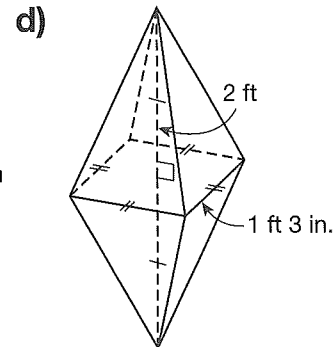
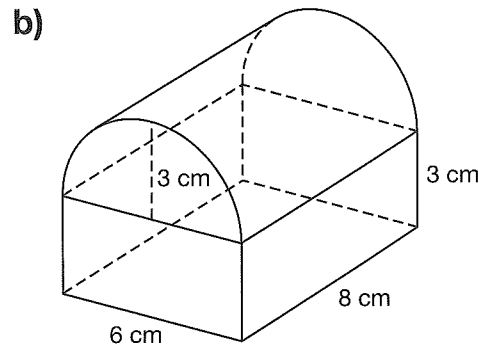
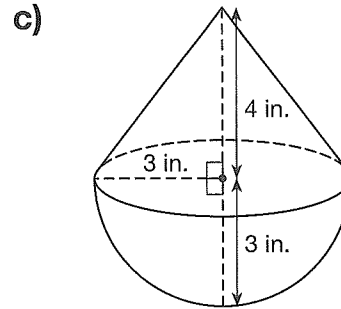
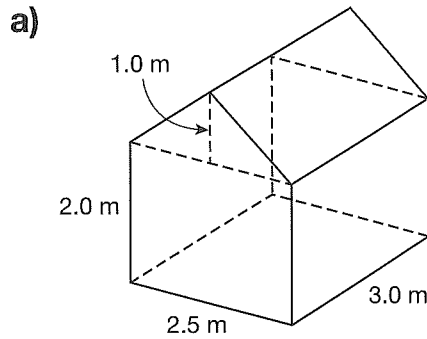


9)



Practice

1. Determine the volume of each object.



REFLECTING

What is the volume of the object in Question 1 d) in cubic feet? Explain your thinking.

Hint

Use the charts inside the back cover.

2. Express each volume in the units given.

- a) $126\,000\text{ mm}^3 = \underline{\hspace{2cm}}\text{ cm}^3$ e) $8640\text{ cu in.} = \underline{\hspace{2cm}}\text{ cu ft}$
 b) $0.0025\text{ m}^3 = \underline{\hspace{2cm}}\text{ cm}^3$ f) $6\text{ cu yd} = \underline{\hspace{2cm}}\text{ cu ft}$
 c) $58\,000\,000\text{ cm}^3 = \underline{\hspace{2cm}}\text{ m}^3$ g) $405\text{ cu ft} = \underline{\hspace{2cm}}\text{ cu yd}$
 d) $19\text{ cm}^3 = \underline{\hspace{2cm}}\text{ mm}^3$ h) $10\text{ cu ft} = \underline{\hspace{2cm}}\text{ cu in.}$